



1920 ALBERTA AVE
 SASKATOON, SK S7K 1R9
(306) 652-6668
 FAX (306) 652-1123
 www.rpmparts.ca

GENERAL MOTORS

INTERIOR PACKAGE

All Kits include front & rear seat upholstery, front & rear door panels, headliner and moulded carpet

1967-69 Camaro & Firebird STD	\$754.95
1965-68 Chevelle	\$910.35
1969-70 Chevelle	\$993.30
1971-72 Chevelle	\$910.35
1965-68 Nova SS	\$1,138.40
1969-71 Nova SS	\$1,104.80
1966-69 GTO	\$1,078.35
1970-72 GTO	\$1,202.25
1966-68 Impala SS	\$1,363.90
1965-69 Mustang	\$596.30
1970 Mustang	\$672.10
1971-73 Mustang	\$679.25
1964-72 Cutlass	Starting at \$1,265



*Mustang kits do not include rear door panels

CAMARO & FIREBIRD

• 1967-68 Camaro Full Quarter Panel Skins \$105.50 & up
• 1969-73 Camaro Full Quarter Panel Skins \$113.25 & up
• 1967-69 Firebird Full Quarter Panel Skins \$191.75 & up
• 1970-73 Firebird Full Quarter Panel Skins \$108.50 & up
• 1967-69 Full Length Floor Plans \$79.95
• 1967-69 Trunk Pans \$79.00 & up
• All Wiring Harnesses \$124.95 & up
• 1967-73 Camaro Assembly Manuals \$29.95

*** 1000s MORE PIECES ***

GTO

• 1966-72 Full Quarter Panel Skins \$232.00 & up
• 1969-71 Judge Stripe Kits \$249.95 & up
• 1969-70 Upper or Lower Ram Air Seals \$54.95 & up
• 1964-72 Exhaust Tips \$109.95 & up

CHEVELLE

• 1964-72 Full Length Floor Plans \$110.00 & up
• 1962-72 Chevelle Hood Insulation \$19.95 & up
• 1968-72 Full Quarter Panel Skins \$125.75 & up
• 1966-67 Full Quarter Panel Skins \$173.00 & up

*** 1000s MORE PIECES ***

CUTLASS

• 1968-72 Full Quarter Panel Skins \$284.50 & up
• 1968-72 442 Exhaust Trumpets \$54.95
• 1970-72 W30 or W31 0A1 Foam Sales Starting at \$28.95

*** 1000s MORE PIECES ***

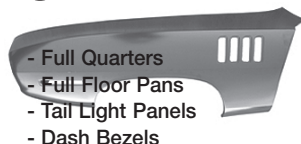
- Trunk Floors • Outer Wheel Housings • Trunk Extensions
- Front & Rear Valances • Floor Pans • Fender Panels

PLEASE CALL FOR PRICING

WHAT'S NEW?

MOPAR A-B-E BODIES

- Front Fenders
- Hoods
- Door Shells
- Door Skins
- Roof Skins



- Full Quarters
- Full Floor Pans
- Tail Light Panels
- Dash Bezels

1972 - 1976 "A" BODY PLASTIC HEADLINERS

These ABS Plastic Headliners replace the 1 piece cardboard style healiners. Available in 2 styles of a cloth material and a variety of colours.

\$349⁹⁵

CHEVY II/NOVA

• 1962-65 Full Quarter Panel \$389.45
• 1966-67 Full Quarter Panel \$599.95
• 1968-69 Full Quarter Panel \$559.95
• 1970-74 Full Quarter Panel \$559.95
• 1962-67 Full OEM Floor Pan \$659.95
• 1962-67 Full OEM Trunk Floor \$559.95
• 1962-74 Full Doorskins \$179.95 & up
• 1962-74 Fenders \$249.95 & up
• 1963-74 Dash Pads \$299.95 & up
• Wiring Harnesses \$109.95 & up
• 1962-72 Assembly Manuals \$29.95

*** 1000s MORE PIECES ***

IMPALA

• 1961-70 Full Length Floor Plans \$229.95
• 1962-64 Front Fenders \$549.95
• 1963-66 Full OEM Trunk Floor \$499 & up
• 1963-64 Full Quarter Panel \$669.95

*** 1000s MORE PIECES ***

FRONT SUSPENSION	MOST MOPAR	MOST GM
Upper Ball Joint	\$44.95	\$29.95
Lower Ball Joint	\$59.95	\$29.95
Outer Tie Rod End	\$59.95	\$36.95
Inner Tie Rod End	\$59.95	\$27.95

- IMPALA - GTO - NOVA - CAMARO - FIREBIRD -
 - CUTLASS - CHEVELLE - MONTE CARLO - SKYLARK - 55/6/7

ORDER NOW

(306) 652-6668

FAX (306) 652-1123

MON-FRI 8am-6pm



SAT 9am-3pm



Catalogues

MOPAR 188 pgs \$5.00
CUTLASS 104 pgs	... \$5.00
CHEVELLE 135 pgs	... \$5.00
MUSTANG 98 pgs	... \$5.00
CAMARO 180 pgs	... \$5.00
GTO 125 PGS \$5.00
GM TRUCK 102 pgs	.. \$5.00
IMPALA \$5.00
NOVA \$5.00

GUARANTEE

It is R.P.M.'s policy to guarantee the lowest prices on all products we sell. If you find a lower nationally advertised price give us a call let us BEAT that price. (Products must be of equivalent quality).

REPRODUCTION PARTS MARKETING

1920 ALBERTA AVE,
 SASKATOON, SASK S7K 1R9



1920 ALBERTA AVE
 SASKATOON, SK S7K 1R9
(306) 652-6668
 FAX (306) 652-1123
 www.rpmparts.ca

MUSTANG

QUARTER PANELS

- 1964-66 \$83.50 & up
- 1967-68 \$80.25 & up
- 1969-70 \$118.00 & up
- 1971-73 \$107.00 & up

FLOOR PLANS

- 1964-73 Front \$67.00
- 1964-73 Rear \$58.25
- 1964-70 Full Length \$124.25
- 1964-70 complete Set \$249.00

WHEEL HOUSINGS

- 1964-68 Outer \$54.95 & up
- 1964-68 Inner \$59.95 & up

FENDERS

- 1964-66 \$256.00
- 1967-68 \$278.75
- 1969 \$337.50
- 1970 \$337.50

VALANCE PANELS

- 1964-68 Front \$63.00
- 1964-68 Rear \$56.50 & up

* WEATHERSTRIP PACKAGE*

All kits include door, roof rail, trunk, hood to cowl seats and window felt kit.

- 1965-66 Coupe \$151.15
- 1967-68 Coupe \$156.50
- 1965-66 Fastback \$167.90
- 1967-68 Fastback \$167.90
- 1969-70 Coupe \$208.10

NEW MUSTANG PARTS

- 1967 Correct Quarter Panel Skins \$199.00
- 1965-66 V8 Air Cleaner \$274.95
- 1967-66 Fastback Trunk Lid \$314.50
- 1964-68 OEM Rocker Panels \$134.95 & up
- 1964-73 Small Block Oil Pan \$99.00
- 1967-73 FE Oil Pan \$99.00
- 1964-73 Battery Cable Set 3 pieces \$69.95
- 1965-66 Fastback full quarter panels \$334.00

CHROME PIECES

- 1964-67 Antenna \$24.95
- 1964-66 Tail Lamp Bezel \$22.95
- 1967 Tail Lamp Bezel \$18.95
- 1965 Quarter Ornament \$43.95 pr
- 1966 Quarter Ornament \$49.95 pr
- 1964-71 Air Cleaner \$34.95
- 1964-65 Outside Rear View Mirror \$39.95 kit
- 1965-70 Front Bumper \$159.50 & up
- 1965-70 Rear Bumper \$169.95 & up
- 1964-66 Front Bumper Guards \$49.95 pr
- 1964-66 Rear Bumper Guards \$49.95 pr
- 1965-66 Exhaust Tips \$79.00 pr
- 1965-66 Grill \$129.95 & up
- 1967 Grill \$137.50
- 1967-70 Wheel Opening Mouldings \$26.75 & up
- 1967-70 Wheel Opening Mouldings Starting at \$99.95

INTERIOR

- 1964-66 Dash Bezel (black) \$44.95 & up
- 1967 Dash Bezel (black) \$79.95
- 1965-66 Dash Lens \$16.95 & up
- 1964-66 Glove Box \$14.95
- 1964-68 Carpet Sill Plates \$24.95
- * 1964-73 Carpet Sets \$149.95 & up
- * 1964-66 Chrome Arm Rest Bases \$8.95
- * 1964-68 Standard Door Panels \$88.00 pr & up
- * 1965-66 Pony Door Panels \$229.00 pr
- * 1964-68 Standard Seat Skins F&R \$283.00
- * 1965-66 Pony Seat Skins F&R \$375.00

TRUNK MAT SPECIAL

- 1964-68 Real Rubber \$74.95

- 1967 Dash Bezel - Black \$79.95
- 1967 Dash Trim Set - Black \$89.95

** CATALOG - 98 PGS - \$4.00 **

MUSTANG

AUTHORIZED DISTRIBUTOR

IMETRO
 THE WEATHERSTRIP EXPERTS

WEATHERSTRIP PKG

- All kits include door, roof rail, trunk, 1/4 window seals and window felt kit
- 1967-69 Camaro & Firebird Starting At \$259.95
 - 1964-72 Chevelle, GTO, Cutlass Starting At \$259.95
 - 1962-67 Nova Starting At \$259.95
 - 1965-68 Impala Starting At \$259.95
 - 70-81 Camaro & Firebird Starting At \$269.00

* CARPET EXTRA *

Our carpet sales has been tremendous and we will continue to promote the BEST QUALITY AUTO CARPETS until everyon has one!

159⁹⁵
 and up

DODGE

EXHAUST TIP SPECIAL

- 1971-74 Road Runner/GTX/Charger \$449.95 & up
- 1968-70 Superbee/Coronet \$90.00
- 1968-70 Road Runner/GTX \$90.00
- 1968-70 Charger \$90.00
- 1968-69 Cuda \$219.95 pr
- 1970-74 Cuda \$169.95
- 1970-74 Challenger \$199.95
- 1970 TA/AAR \$215.00
- 1968-74 Dart/Duster/Demon \$110.00

SPOILERS

- 1970 Go Wing \$284.95
- 1971 Gull Wing \$649.95

WEATHERSTRIPS

- 1970-74 "E" Body Doors & Roofs \$119.95 pr & up
- 1964-70 "B" Body Doors & Roofs \$119.95 pr & up
- 1971-74 "B" Body Doors \$99.00 pr & up
- 1967-72 "A" Body Doors \$129.95 pr & up
- All Trunk Seals Starting at \$24.95
- All Hood Insulation Starting at \$29.95
- All Window Felt Kits Starting at \$89.95

STRIP KITS

- All strip kits carry a "7 YEAR" Warranty! Many more kits available - Call
- 1970 Cudy Hockey Stick \$124.95
 - 1970 AAR Cuda & 71 Billboard \$269.95 & up
 - 1971-72 Duster \$199.95 & up
 - 1968-70 GTX \$99.95 & up
 - 1968 Charger R/T \$149.95
 - 1969-70 Charger 500+RT \$139.95 & up
 - 1968-70 Dart GT, GTS and Swinger \$164.95 & up
 - 1968-70 Superbee \$189.95 & up
 - 1970 Superbee - Reverse "C" \$259.95
 - 1968-70 Coronet R/T \$149.95 & up
 - 1970-71 Challenger R/T \$169.95 & up
 - 1972-74 Challenger Strobe \$229.95

INTERIOR

- 1966-74 Package Trays \$49.50 & up
- 1966-76 Carpets \$149.95 & up
- 1966-74 Headliners \$109.95
- 1966-74 Seat Upholstery \$199.95 & up
- 1966-74 Glove Box Liners \$34.95

WHEEL OPENING MOLDINGS

- 1970-74 Cuda \$209.95

TRUNK MAT SPECIAL

- All "A", "B" & "E" Body
- Heavy Duty Rubber Mats \$64.95

** CATALOG - 188 PGS - \$5.00 **

PLYMOUTH



1920 ALBERTA AVE
 SASKATOON, SK S7K 1R9
(306) 652-6668
 FAX (306) 652-1123
 www.rpmparts.ca



Your Restoration Connection







CONVERTIBLE TOPS

Because of RPM's incredible buying power we offer, direct from the WORLD'S LARGEST manufacturer, 100's of styles of convertible tops from 1928-1996. All tops utilize a heavy weight 36 oz. or 38 oz. vinyl which meet or exceed OEM specifications. Guaranteed to be the highest quality on the market at RPM's GUARANTEED LOWEST PRICES!

Starting At
\$209⁹⁵
 Complete

TOP BOOTS FROM \$99⁹⁵
 WELL LINERS FROM \$44⁹⁵

 Hydraulic Top Pump 1954-93 \$359.95 6V Units Available <i>Call About Older Pumps!</i>	 Hydraulic Top Cylinders 1946-93 \$219.95 Pre-War Vacuum Top Cylinders <i>Call</i>
 Top Hold Down Cables 1961-76 Full Size GM \$49.95/pr & up 1968-72 GM A-body \$49.95/pr & up 1967-69 Camaro/Firebird \$49.95/pr & up 1964-70 Mustang/Cougar \$49.95/pr & up	 Top Hose Sets 1956-62 Vette \$379.95 1961-67 Lincoln \$379.95 1960-66 T-Bird \$379.95 Others Black Rubber \$159.95 White Plastic \$159.95

☆ CONVERTIBLE TOP WEATHERSTRIPPING ☆

1967-69	Camaro & Firebird	\$249.95 & up
1964-72	Chevelle, GTO, Cutlass, Skylark	\$269.95 & up
1961-72	Chev full size, Cadillac, Olds, etc.	\$249.95 & up
1957-64	Ford full size	\$299.95 & up
1964-73	Mustang	\$.135.00 & up

1970-71 Mopar E Body \$.135.00 & up

AUTHORIZED DISTRIBUTOR
IMETROK
 THE WEATHERSTRIP EXPERTS

CHEV/GM TRUCK WEATHERSTRIPS

- KEEP THE HEAT IN AND THE COLD OUT -

EMBROIDERED FLOOR MATS

DOOR FELT KIT



Each kit contains inner and outer window anti-rattle strips as well as upper and rear glass channels for BOTH DOORS!

1947-50	\$144.95/kit
1951-55	\$119.95/kit
1955-59	\$144.95/kit
1960-63	\$164.95/kit
1960-63	(with safety glass)	\$124.95/kit
1964-66	\$129.95/kit
1967-72	\$104.95/kit

DOOR SEALS

Seal your doors to the cab-correct profile and style.

1947-50 Cab Windlace	\$34.95/pr
1947-55 Door Seal On Door	\$39.00/pr
1955-59 Door Seal	\$54.95/pr
1960-66 Door Seal	\$37.50/pr
1967-72 Door Seal	\$49.95/pr

MANUALS

Always an excellent selection of reference material to help you restore, repair or maintain your Chev-GMC pick-up!

1948 -72 Shop Manual	\$29.95 and up
1947 - 76 Owners Manual	\$9.95 and up
1947-72 Color Sales Brochures	\$9.95 and up
1947-72 Assembly Manual	\$39.95 and up

\$129⁹⁵ and up

- Custom made to fit your car with rubber gripper backing.
- Add finishing touch to restoration project, plus interior protection.
- 100's embroidery logos.



An Excellent Value!