

QJY-S3

Portable Scissor Hydraulic Lift



lifting arm with drop in pad for choice



lowest position

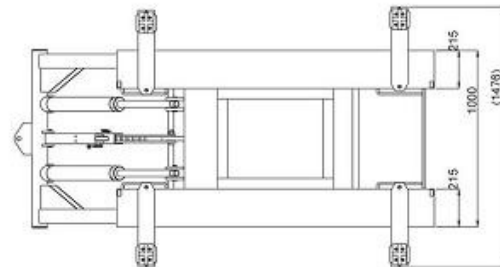
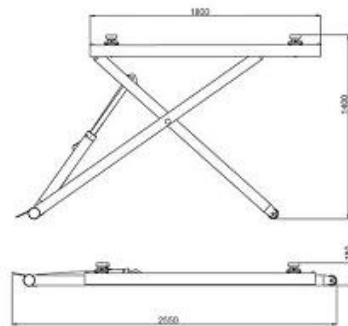


trolley for power unit and power control box

www.shfanbao.com

Features:

- ▲ Manual single side release
- ▲ 24V power control box for choice guards against unexpected hurt or injury
- ▲ Lifting height 1400mm, used for quick tire replacement and simple service
- ▲ Adjustable lifting pads suitable for more types of vehicles
- ▲ It has been proofed by dynamic test with 125% of rated capacity and static test with 150% of rated capacity
- ▲ CE certificate



Main technical parameter

Model	Capacity	Lifting Height	Min. Height	Outer Dimensions(LxWxH)	Power	Net Weight
QJY-S3	2700kg	1400mm	180mm	2550x1000x180mm	380/220v	478kg